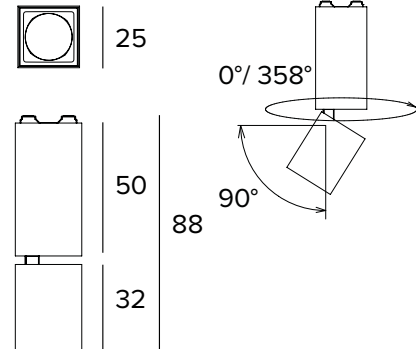


## 1T7955CA | OZ Lighting module - Single

Adjustable magnetic LED light module, powered at low voltage



The fixture's photometric values can be found on the following pages



The figures on the drawing are expressed in mm.

### SOURCE

Hugh efficiency Ra90 LED Emitter.

**Energy efficiency class:** F

**Nominal power:** 2,1W

**Nominal flux:** 243lm

**Colour rendering index:** 90

**Rf:** 91.4

**Rg:** 103.9

**CCT nominal:** 3500K

**SDCM:** 2

**Lifetime (L80/B10):** >50000h tq +25°C

### ILLUMINOTECHNICAL CHARACTERISTICS

Optical unit composed of a specular anodised aluminium reflector, a Lens Vector lens (liquid crystal glass lenses that are electronically controlled to regulate light diffusion and the beam opening) and a holographic filter; UGR<22 (EN12464-1).

**Optic:** DBS

**Beam angles:** SP-FL

**Optical efficiency:** See photometries

**Fixture flux:** See photometries

**Luminous efficacy:** See photometries

**Photobiological safety:** Compliant with RG1 low risk group

### MECHANICAL CHARACTERISTICS

Black painted die-cast aluminium body. Adjustable fixture, 25x25mm. Tiltability of the optical unit from 0° to +90° on the vertical plane and of 358° on the horizontal plane.

**Colour and finish:** Deep black

**Dimensions:** 25x25mm

**Weight:** 0.062Kg

**Version:** ADJUSTABLE CASAMBI

**Degree of protection:** IP20

### ELECTRICAL CHARACTERISTICS

**Fixture Power:** 3W

**Power supply:** 48Vdc

**Insulation Class:** CLASS 3

**Class F:** YES

**Ambient temperature:** 0°C / +25°C

### INSTALLATION

Extremely rapid, versatile and simple mechanical and electrical coupling system using magnets which support the fixture on the Power Track and feed power inside the fixture on all versions.

### NOTES

Version with DBS (Dynamic Beam Shaper) technology. 110-277Vac version available on request. Commissioning of the control system via free APP; the intervention of a specialist technician can be quoted on request.

### WARRANTY

5 years.

### WARNING

Luminaire designed for disposal/recycling at end-of-life. Replaceable (LED only) light source by a professional. Replaceable control gear by a professional.

*Due to the technological evolution of the electronic components, the data provided may be updated, and as such, confirmation must be requested during the order process.*

*Luminous flux and power supply have +/-10% tolerances with respect to the indicated value. tq +25°C (CIE 121).*

*We reserve the right to make technical changes.*

Targetti Sankey S.r.l.  
Via Pratese, 164  
50145 Firenze - Italy  
Tel: +39 055 37911  
targetti.com  
targetti@targetti.com

CCIAA Firenze  
Share Capital:  
€ 500.000,00  
VAT N. (IT):  
01537660480  
R.E.A: FI-275656

**TARGETTI**

**1T7955CA | OZ Lighting module - Single**  
Adjustable magnetic LED light module, powered at low voltage

|               | 3500K                        | H(m)             | D(m)   | Emax(lx) |      |    |
|---------------|------------------------------|------------------|--------|----------|------|----|
|               | Ra90                         |                  | 16°    |          |      |    |
| Fixture Power | 3W                           | 1                | 0.28   | 1734     |      |    |
| Source Flux   | 243lm                        | 2                | 0.56   | 433      |      |    |
| Fixture Flux  | 180lm                        | 3                | 0.84   | 193      |      |    |
| Efficacy      | 64lm/W                       | 4                | 1.12   | 108      |      |    |
| TS1285        | I <sub>max</sub> =7134cd/klm | I <sub>max</sub> | 1734cd | 5        | 1.40 | 69 |

|               | 3500K                        | H(m)             | D(m)  | Emax(lx) |      |    |
|---------------|------------------------------|------------------|-------|----------|------|----|
|               | Ra90                         |                  | 35°   |          |      |    |
| Fixture Power | 3W                           | 1                | 0.62  | 291      |      |    |
| Source Flux   | 243lm                        | 2                | 1.24  | 73       |      |    |
| Fixture Flux  | 161lm                        | 3                | 1.86  | 32       |      |    |
| Efficacy      | 57lm/W                       | 4                | 2.49  | 18       |      |    |
| TS1286        | I <sub>max</sub> =1198cd/klm | I <sub>max</sub> | 291cd | 5        | 3.11 | 12 |

**SP**

Fixture flux 180lm  
Luminous efficacy 64lm/W  
Optical efficiency 74%

**MWFL**

Fixture flux 161lm  
Luminous efficacy 57lm/W  
Optical efficiency 66%

Due to the technological evolution of the electronic components, the data provided may be updated, and as such, confirmation must be requested during the order process. Luminous flux and power supply have +/-10% tolerances with respect to the indicated value. tq +25°C (CIE 121).

Targetti Sankey S.r.l.  
Via Pratese, 164  
50145 Firenze - Italy  
Tel: +39 055 37911  
targetti.com  
targetti@targetti.com

CCIAA Firenze  
Share Capital:  
€ 500.000,00  
VAT N. (IT):  
01537660480  
R.E.A.: FI-275656



We reserve the right to make technical changes.